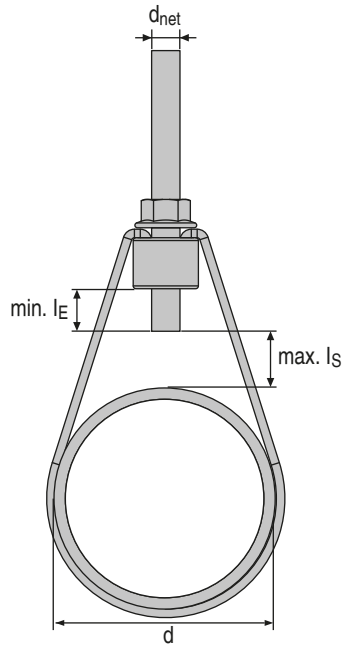


* Counter nut
Tighten by hand
+ 1/4 turn with spanner



d	max. l _s [mm]	min. l _E [mm]	FM/UL d _{net}	VdS d _{net}
3/4"	13	15	M10	M8/M10
1"	13	15	M10	M8/M10
1 1/4"	13	15	M10	M8/M10
1 1/2"	13	15	M10	M8/M10
2"	13	15	M10	M8/M10
2 1/2"	13	15	M10	M10
3"	13	15	M10	M10
4"	13	15	M10	M10
133	13	20	M12	M12
5"	13	20	M12	M12
159	13	20	M12	M12
6"	13	20	M12	M12
219.1	13	25	M16	M16