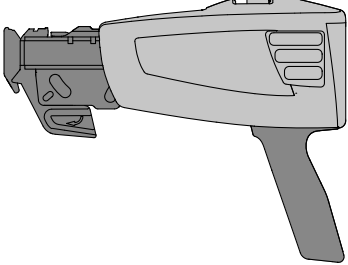



= 1x



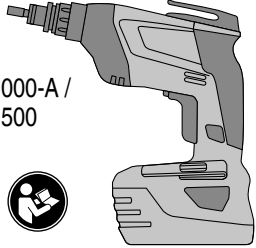
SMD 57

= 1x


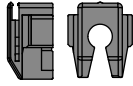
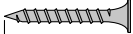


S-SY PH2 116/4 – 1/2"


**1**




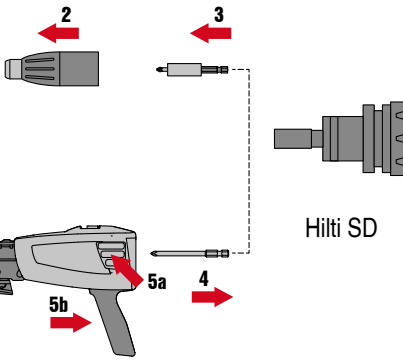
SD 5000 / SD 5000-A /  
SD 6000 / SD 2500

14 – 57 mm  
9/16" – 2 1/4"



**2**

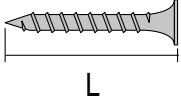
Hilti SD

5a

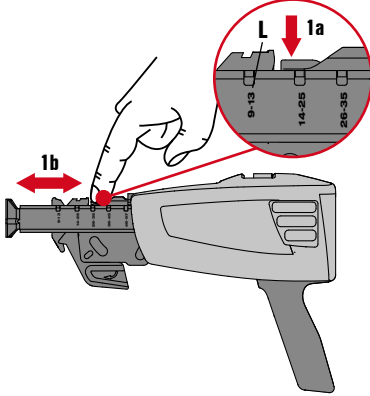
5b

4

**3**



L



1a

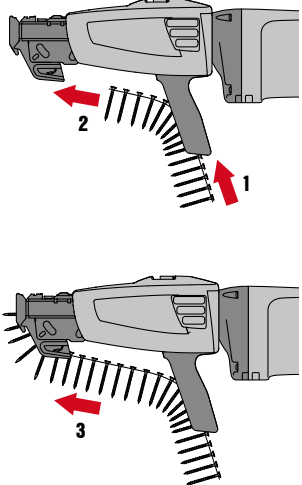
1b

9-13

14-25

26-35

**4**

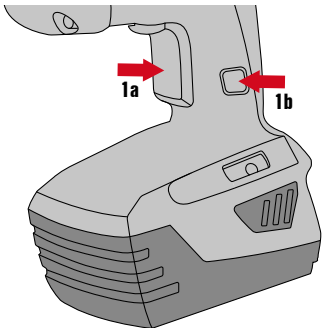


1

2

3

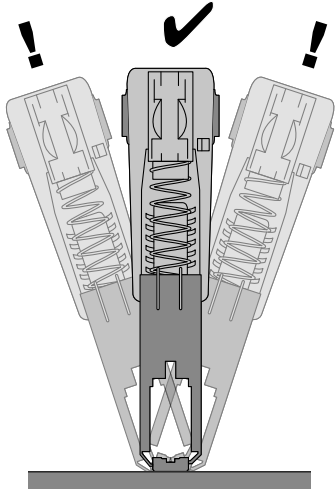
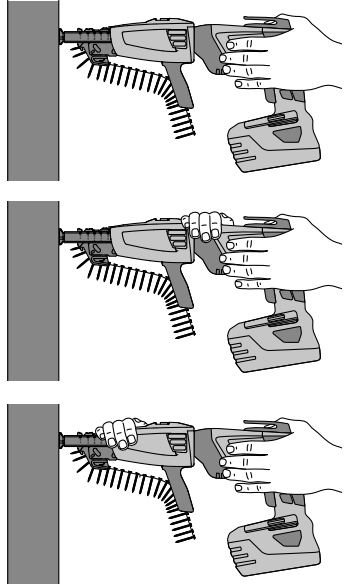
**5**



1a

1b

**6**

! ✓ !

✓

✓

⊘

